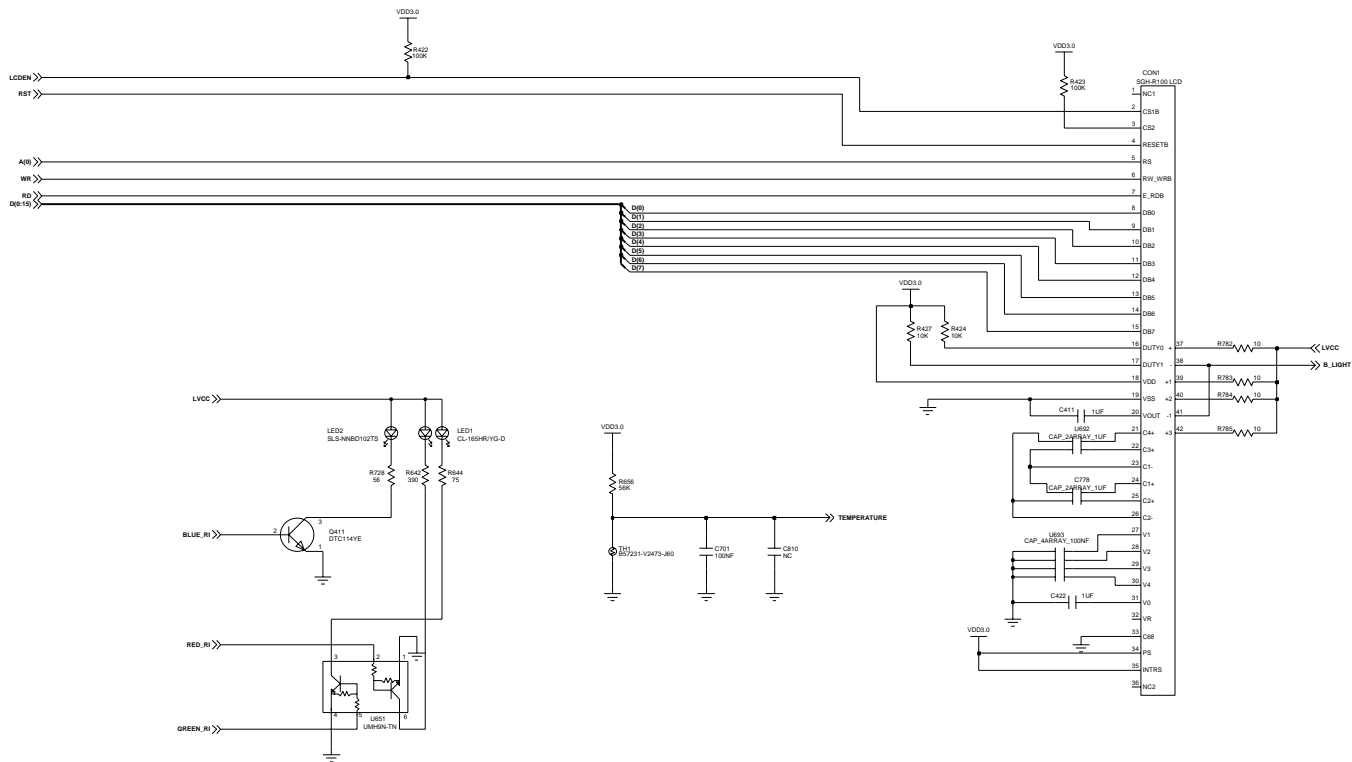
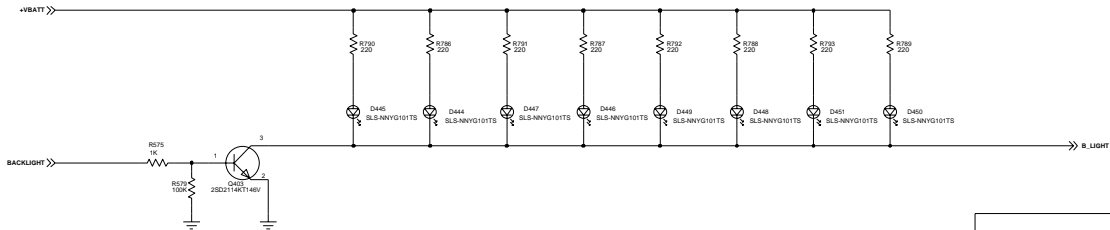
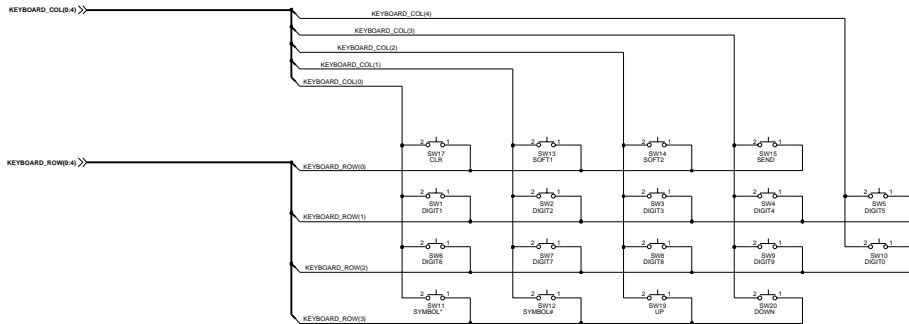
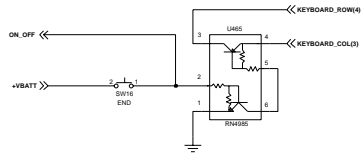
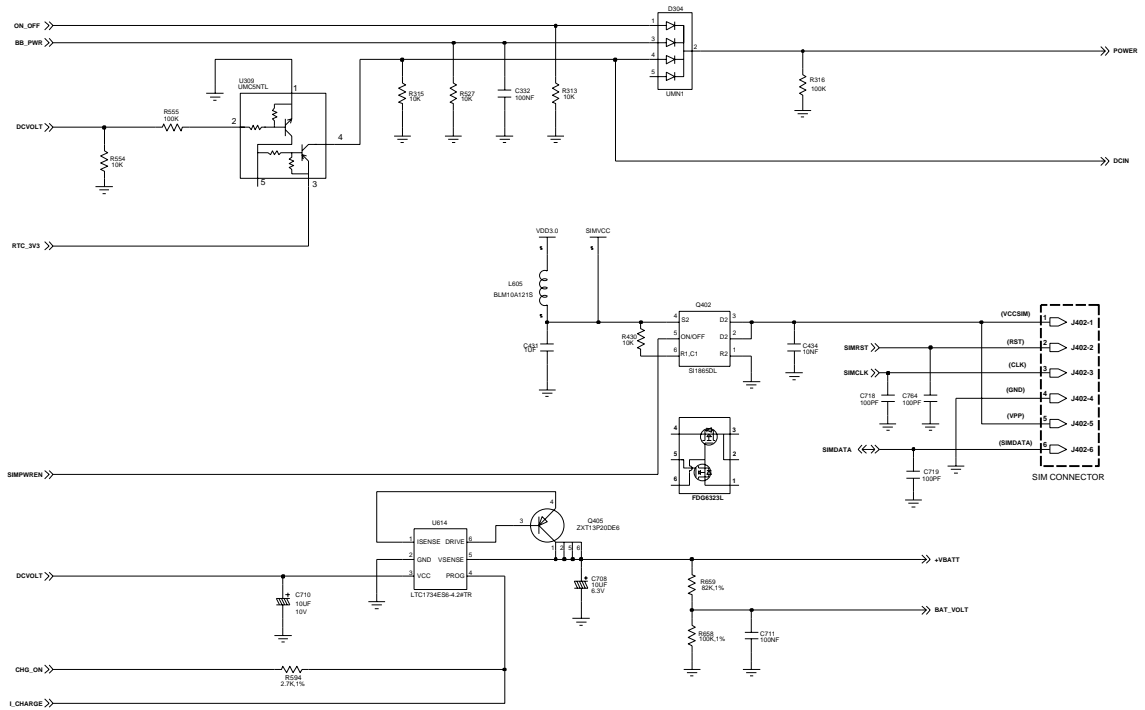


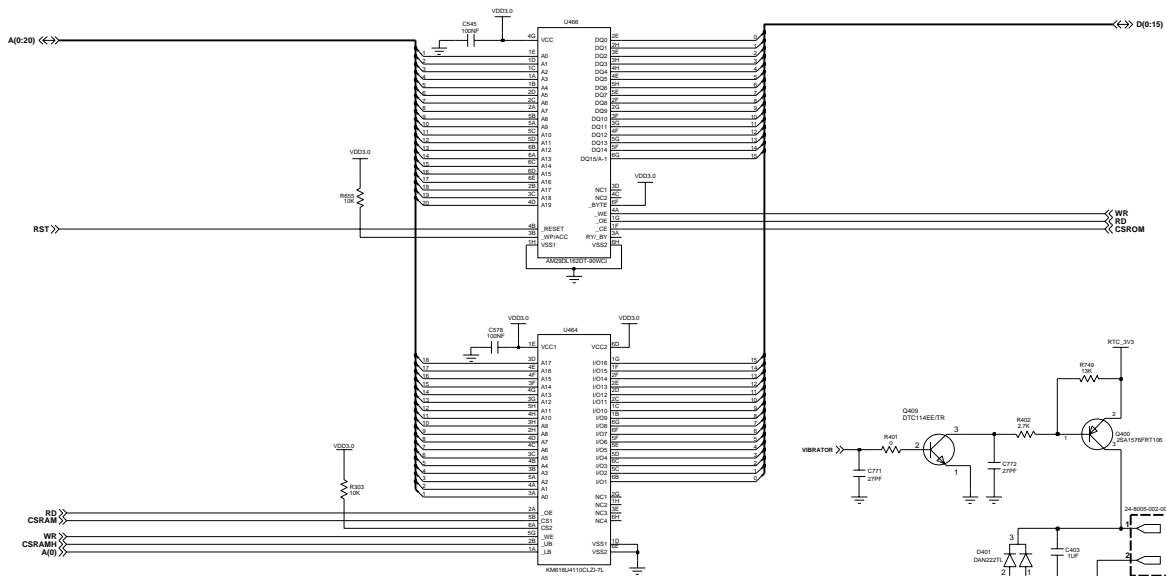
PCB FIXING HOLES(1/8)

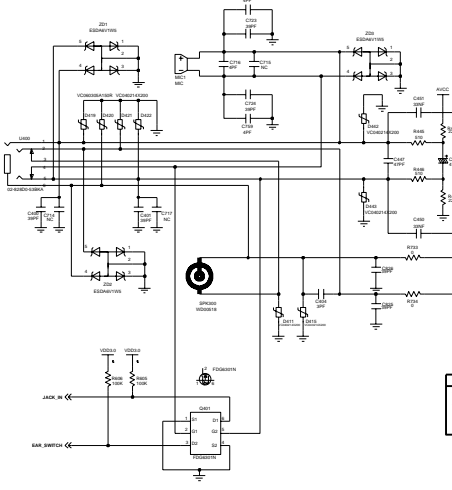
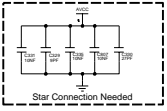
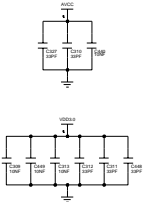




Title		
KEY & Backlight LED Schematic		
Size	Document Number	Rev
A3	SAMSUNG/R2105/B.B.LCD	Rev 2.3
Date:	Wednesday, Apr. 3, 2002	Sheet 3 of 11







W	1	2	3
8	1	2	3
4	1	2	3
7	4	5	6
1	4	5	6

